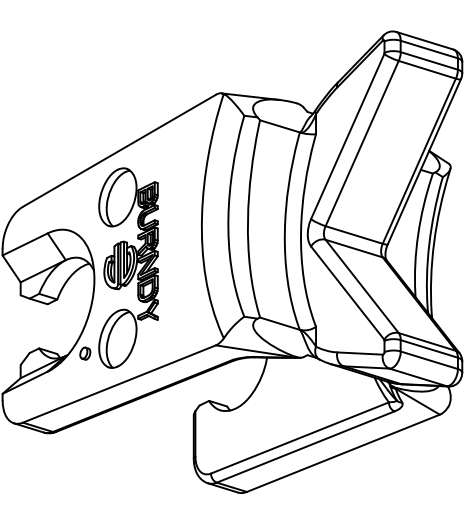
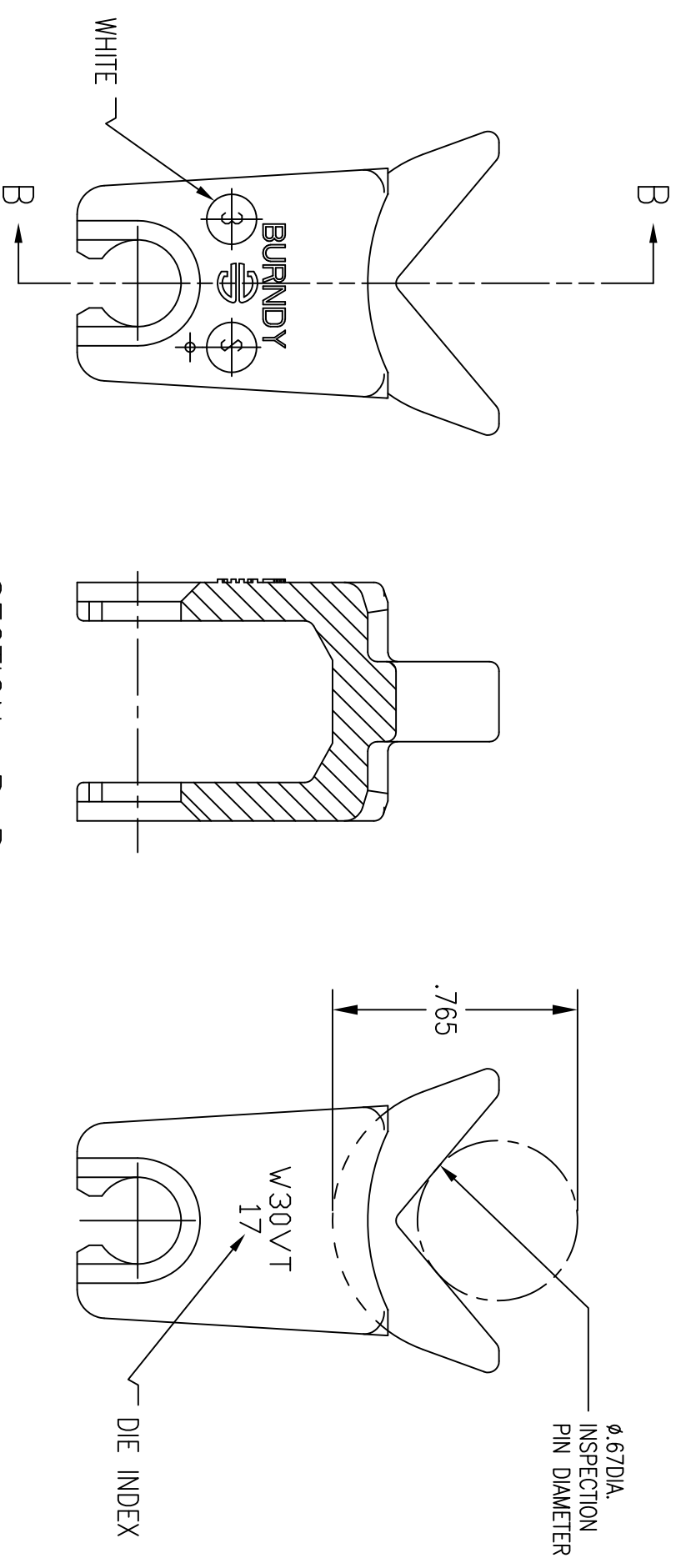


CATALOG NUMBER	DESCRIPTION
HW30VT	300KCM, DIX 17



- NOTES:
1. KIT CONTAINS ONE DIE SET.
  2. MATERIAL : STAINLESS STEEL.
  3. SPECIFICATIONS SUBJECT TO CHANGE WITHOUT NOTICE.

Created on AUTOCAD		DIMENSIONING AND TOLERANCE PER ANSI Y14.5M-1982 UNLESS OTHERWISE SPECIFIED, DIMENSIONS ARE IN INCHES (MM). TOLERANCES .XX = ±.01 (.25) .XXX = ±.005 (.127) .XXXX = ±.0025 (.0635) ANGLE TOL ±1°		PROJECT REFERENCE: <b>2011-041</b>		HUBBELL Hubbell Premise Wiring HUBBELL INCORPORATED (Delaware) 23 CLARA DRIVE, SUITE 103 MYSTIC, CT 06355	
IN ACCEPTING OUR DRAWINGS, BLUPRINTS, OR SUPPORTING DOCUMENTATION FOR QUOTATION OR OTHER PURPOSES, YOU AGREE NOT TO DISCLOSE TO OTHERS THE IDEAS, INFORMATION, OR DESIGNS SHOWN HEREIN, AND THAT YOU WILL MAKE NO USE OF SAME WITHOUT PERMISSION		DRAWN BY: M. ABBY 01/22/13		MATERIAL: SEE NOTES		TITLE: DIE SET, 300KCM, CU, DIX 17 W DIE SET FAMILY	
APPROVED BY:		CHECKED BY:		SCALE: N/A		SIZE: DRAWING NO. C HW514224C	
REV. ECN DATE DESCRIPTION CHG BY APPD BY		1 18075 01/25/13 INITIAL RELEASE MMA		SHEET 1 OF 1		REV. 1	